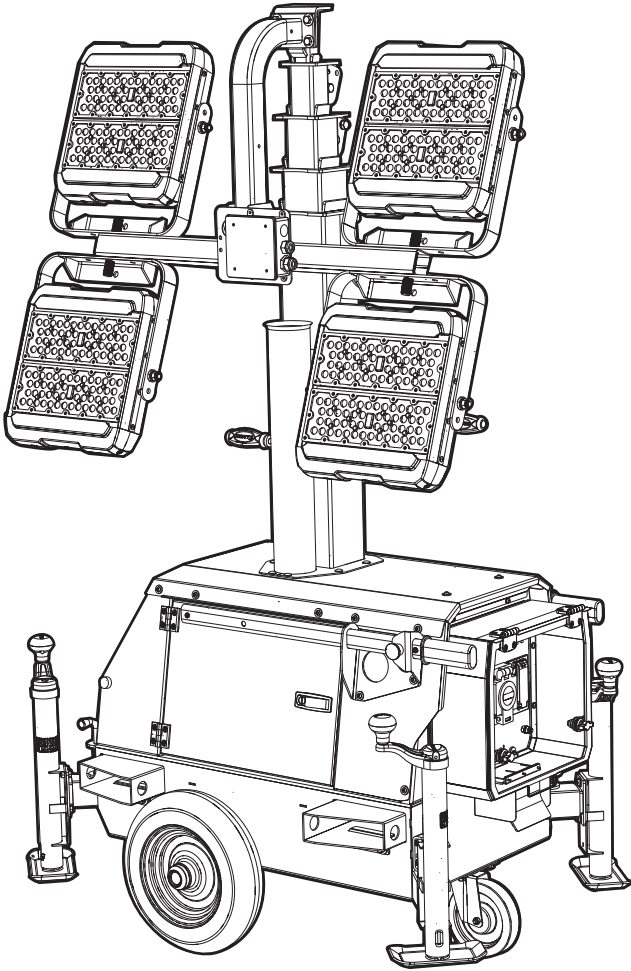


# ***PLT240-STD2***

## ***LED Light Tower Parts Manual***



03276

**MODEL NUMBER:** \_\_\_\_\_

**SERIAL NUMBER:** \_\_\_\_\_

**DATE PURCHASED:** \_\_\_\_\_

***SAVE THIS MANUAL FOR FUTURE REFERENCE***

 **WARNING**

**CANCER AND REPRODUCTIVE HARM**

[www.P65Warnings.ca.gov](http://www.P65Warnings.ca.gov)

(000393a)

# Introduction

This parts manual was prepared based on the information available at the time of publication and is subject to change without notice. Generac Mobile reserves the right to change parts at any time. To check whether a revised parts manual is available, contact Generac Mobile.

DO NOT MODIFY or use this equipment for any application other than which it was designed for. To keep your equipment fully operational, it is suggested you maintain a stock of commonly used maintenance or service parts. A recommended spare parts list can be found in the back of this manual. To order service parts, please go to [www.generacmobileproducts.com](http://www.generacmobileproducts.com) or call Generac Mobile.



## **WARNING**

Consult Manual. Read and understand manual completely before using product. Failure to completely understand manual and product could result in death or serious injury. (000100a)

---

## **WARNING**

Environmental Hazard. Always recycle batteries at an official recycling center in accordance with all local laws and regulations. Failure to do so could result in environmental damage, death, or serious injury. (000228)

---

## **GENERAC MOBILE PRODUCTS LLC**

**215 Power Drive • Berlin, WI 54923 U.S.A.**

**Phone: 920-361-4442**

**FAX: 920-361-4416**

**Toll Free: 1-800-926-9768**

**[www.generacmobileproducts.com](http://www.generacmobileproducts.com)**

**For technical or parts QUESTIONS, contact Generac Mobile Technical Service  
at 1-800-926-9768.**

Engine Make: \_\_\_\_\_

Engine Serial Number: \_\_\_\_\_

Engine Model Number: \_\_\_\_\_

This Page Intentionally Left Blank

# Table of Contents

Introduction .....	iii
Parts Manual Instructions .....	1
Unit Decals - Left Side .....	2
Unit Decals - Right Side .....	4
Lights, Doors and Control Box to Unit .....	6
Enclosure Assembly .....	8
Light Mast Assembly .....	10
Light Assembly .....	12
Mast Junction Box Assembly .....	14
Mast Assembly .....	16
Mast Base Assembly .....	18
Control Panel Cover .....	20
Control Panel Assembly (1 of 3).....	22
Control Panel Assembly (2 of 3).....	24
Control Panel Assembly (3 of 3).....	26
Trailer Assembly .....	28
Recommended Spare Parts .....	30


This Page Intentionally Left Blank

# Parts Manual Instructions

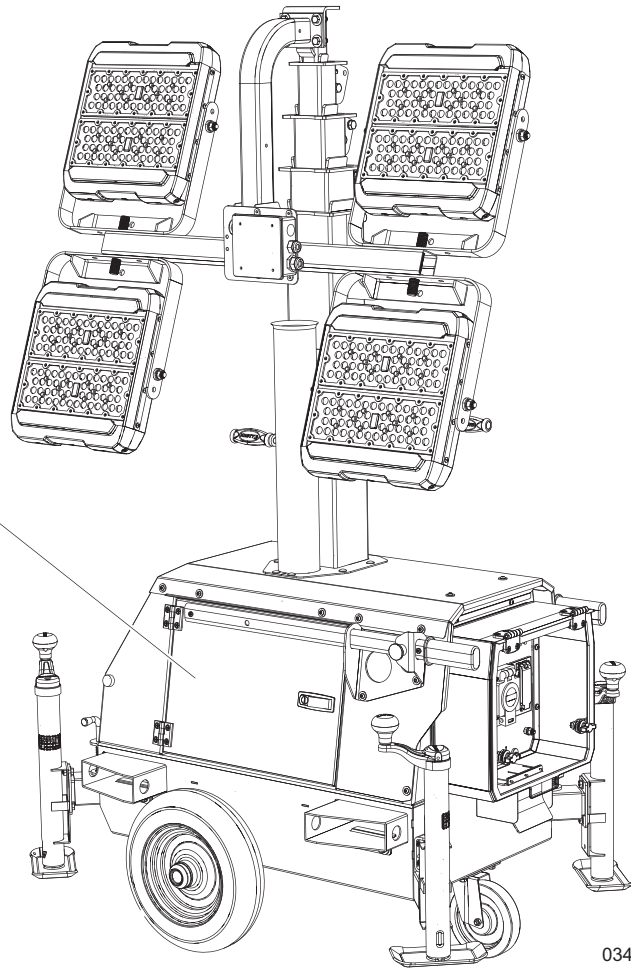
Product illustrations are only representations. Products supplied may vary from the illustrations in this parts manual. Parts not shown in the illustration are indicated by a double dash (--) in the item column.

Please be prepared to provide the following information when ordering replacement parts: model number, serial number (on unit serial tag), part number, purchase order number (if applicable), shipping address, shipping method.

Refer to the illustration below to locate the unit ID tag on the unit. Important information, such as the unit serial number, model number, and tire loading information are found on these tags. Record the information from these tags so it is available if the tags are lost or damaged. When ordering parts or requesting assistance, you may be asked to provide this information.

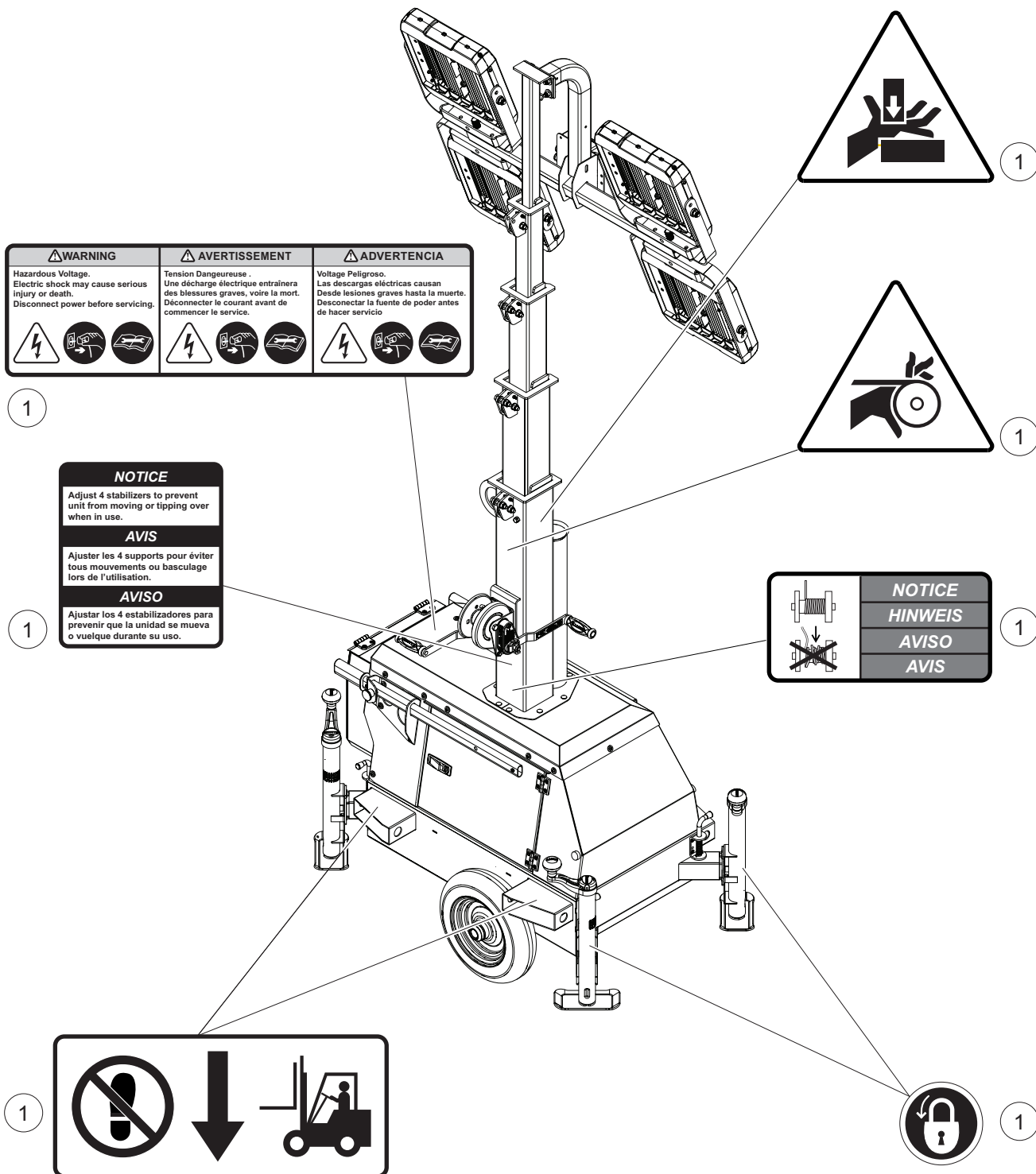
Manufactured by Generac Mobile Products, LLC. (920) 361-4442 (800) 926-9768					
Country of Origin	Model	Serial Number			
Manufacturing Code	Weight (lbs/kg)	RPM/Frequency			
1 ph. 1.0PF	3 ph. .8PF	3 ph. 1.0PF	Rating	In. Class	
KW					
KVA					Production Date
V					
A					
SUITABLE FOR WET LOCATIONS			 FOR ELECTRICAL EQUIPMENT ONLY. FOUR MATERIAL. ELECTRIQUE EQUIPEMENT. SEULEMENT.		
Form: SP10288					

*Located on mast  
inside enclosure*



03435

# UNIT DECALS - LEFT SIDE



03436

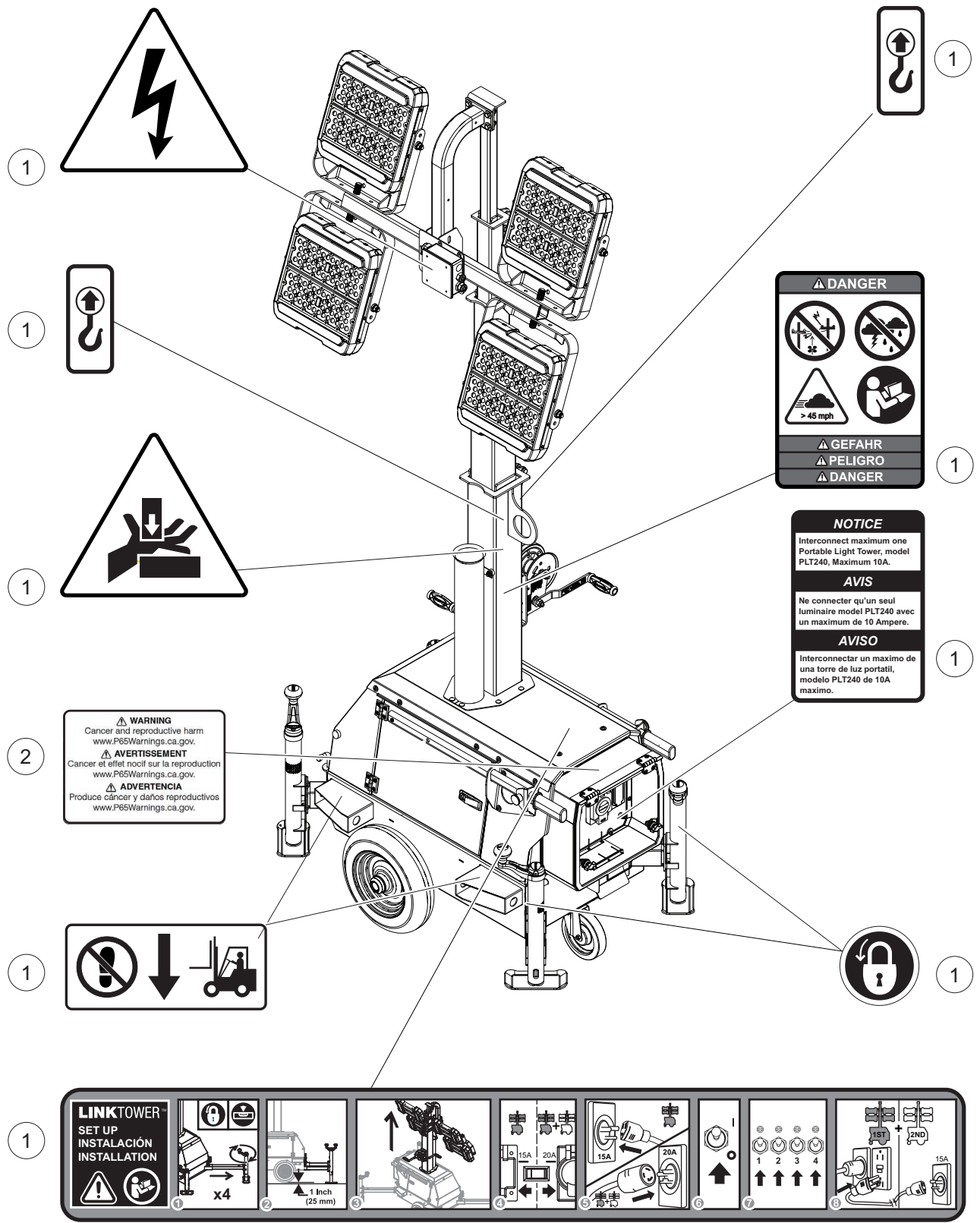


## UNIT DECALS - LEFT SIDE

---

Item	Part No.	Qty	Description	Notes
1	54939	1	Decals, safety, Rev A	

# UNIT DECALS - RIGHT SIDE



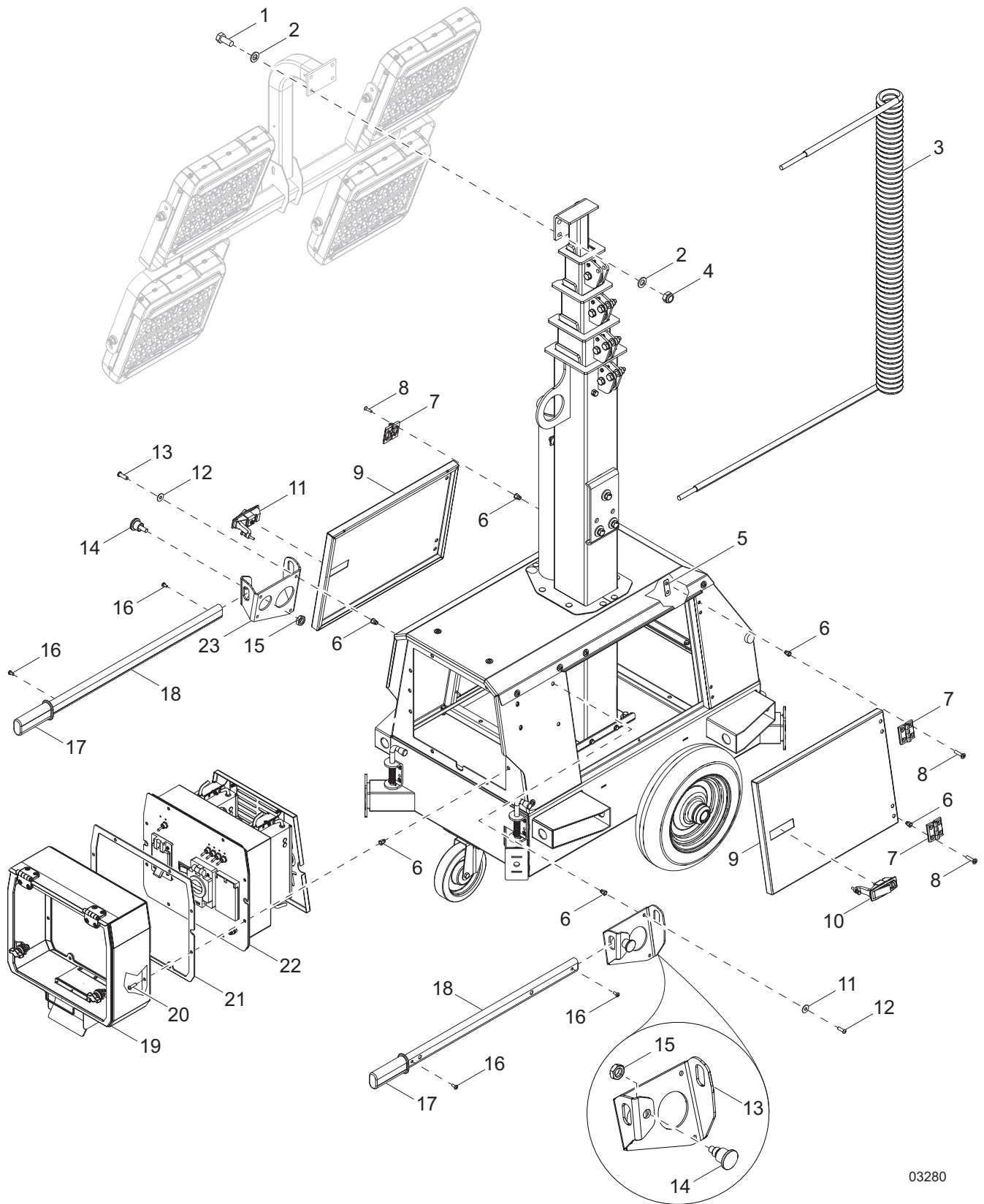
03279

## UNIT DECALS - RIGHT SIDE

---

<b>Item</b>	<b>Part No.</b>	<b>Qty</b>	<b>Description</b>	<b>Notes</b>
1	54939	1	Decals, safety, Rev A	
2	10000037322	1	Decal, Prop 65	

# LIGHTS, DOORS AND CONTROL BOX TO UNIT

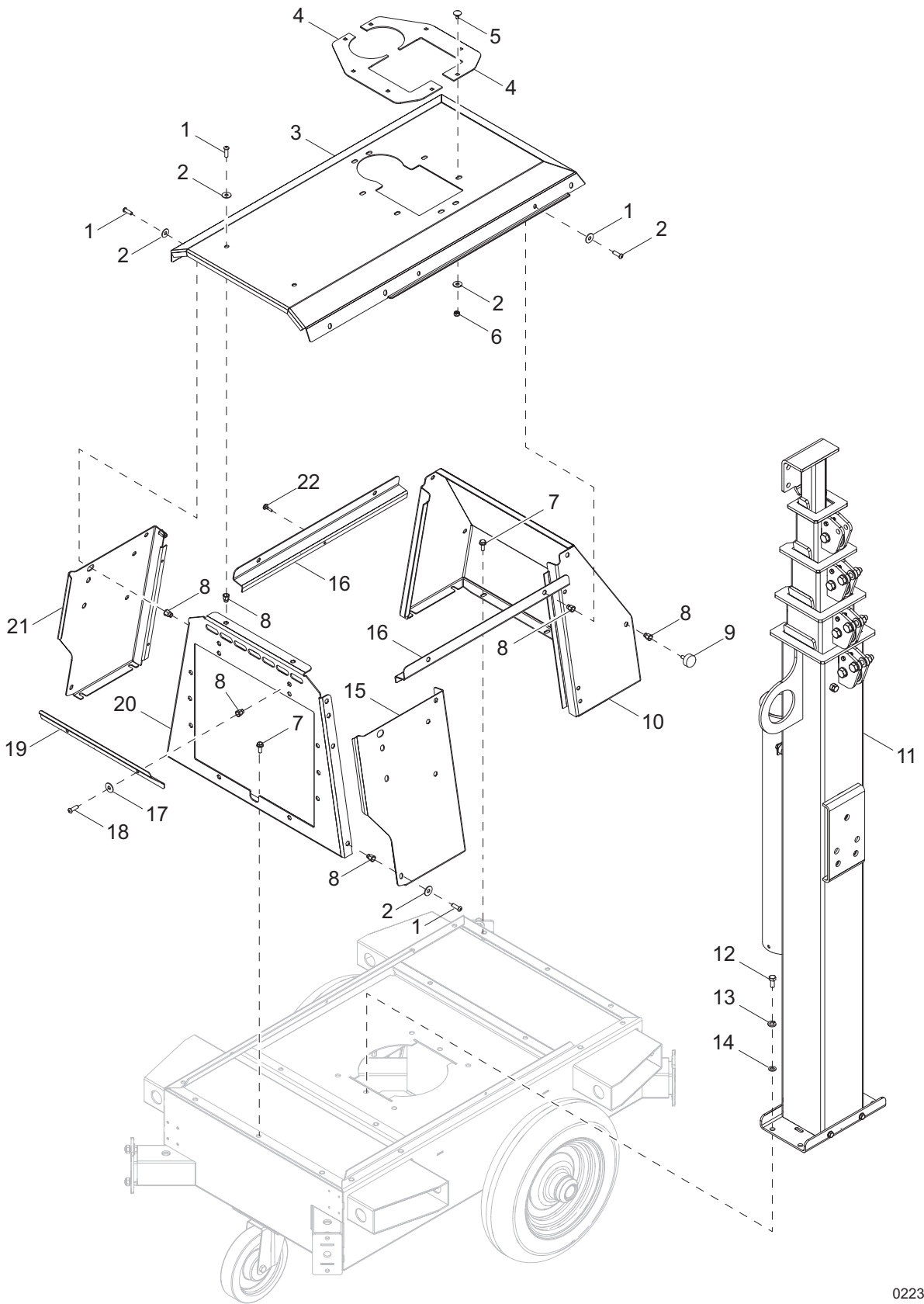


03280

## LIGHTS, DOORS AND CONTROL BOX TO UNIT

Item	Part No.	Qty	Description	Notes
1	60352	4	Screw, .375-16 x 1.25 standard hex, G5	
2	60386	8	Washer, .375 .993/.064	
3	10000026846	1	Cord, coil #14/9 53 in - tail	
4	60358	4	Nut, .375-16 nylock - G5	
5	55089	4	Bracket, hinge mount	
6	69991	34	Insert, M6-1.00 hex .50-3.00mm grip	
7	56538	4	Hinge	
8	N/A	16	Screw, M6-1.10 x 20 Phillips flat - SS	
9	56549	2	Panel, enclosure door	
10	56539	2	Handle, door - locking	
11	69975	8	Washer, M6 flat	
12	69978	8	Screw, M6-1.00 x 20 button hex	
13	56540	1	Bracket, handle mount - right	
14	56544	2	Plunger, pin 10MM	
15	69990	2	Nut, M16-1.5 jam, G4	
16	N/A	4	Screw, M5-.800 x 12 pan Phillips	
17	56543	2	Grip, handle 30MM	
18	56542	2	Handle, grip 30MM x 740MM	
19	A0001659083	1	Assembly, control panel cover	<i>page 20</i>
20	69984	10	Screw, M6-1.00 x 30 button hex	
21	76929	1	Gasket, control panel	
22	55090	1	Assembly, control box w/drivers	<i>page 24</i>
23	56541	1	Bracket, handle mount - left	

# ENCLOSURE ASSEMBLY

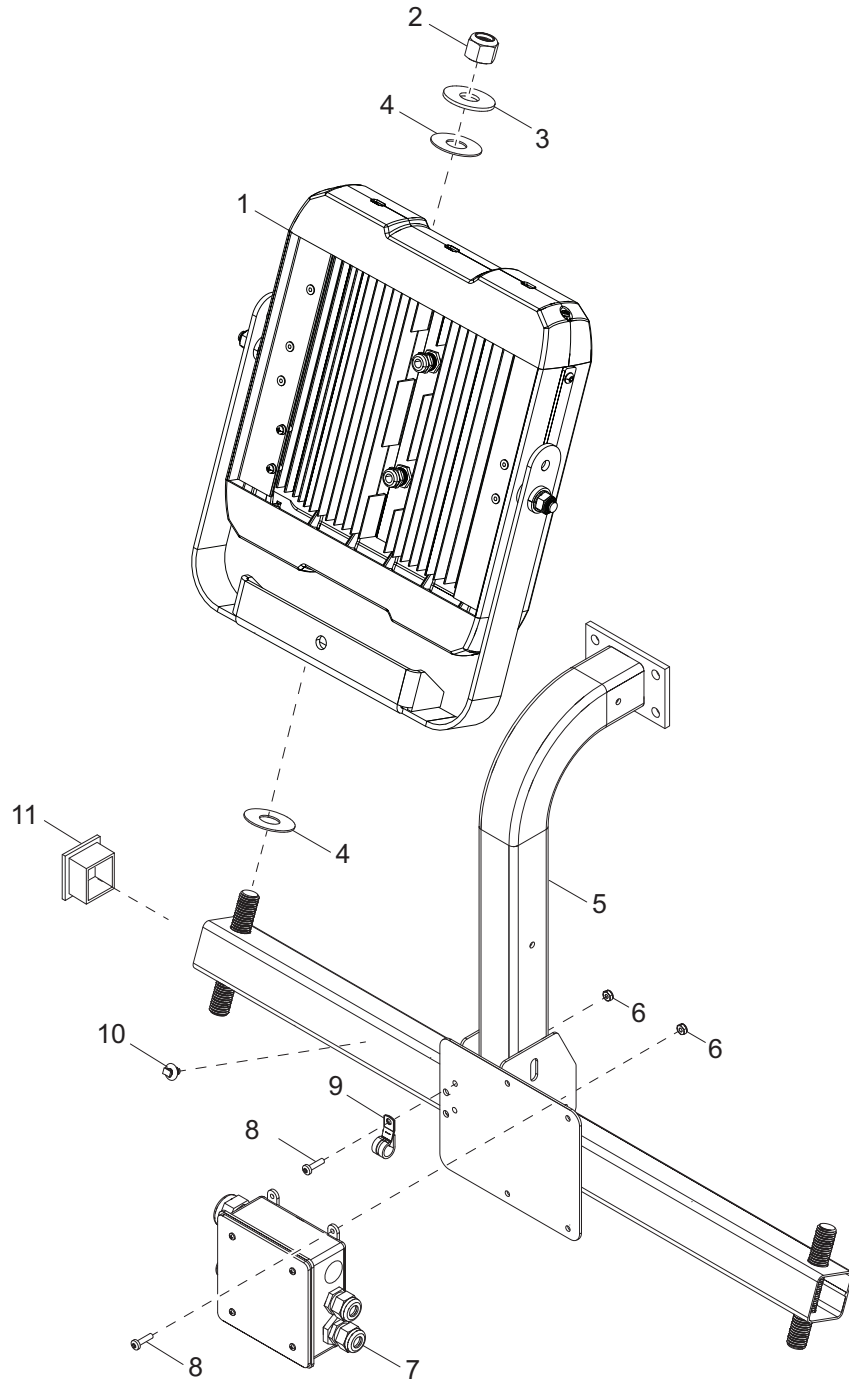


02233

## ENCLOSURE ASSEMBLY

Item	Part No.	Qty	Description	Notes
1	69978	15	Screw, M6-1 x 20 button hex	
2	69975	15	Washer, flat M6	
3	56526	1	Panel, enclosure roof	
4	56535	2	Bracket, mast guide - right	
5	69980	8	Screw, M6-1.00 x 16 carriage, G4	
6	60047	8	Nut, M6 nylock, G8.8	
7	60087	14	Screw, M6-1.00 x 16 serrated flange, G8.8	
8	69991	27	Insert, M6-1.00 hex .50-3.00mm grip	
9	56537	2	Stopper, door - rubber	
10	56525	1	Panel, enclosure - back	
11	56552	1	Assembly, mast	
12	61082	4	Screw, M8-1.25 x 20 standard hex, G8.8	
13	60029	4	Washer, M8 split lock	
14	N/A	4	Washer, M8 flat	
15	56524	1	Panel, enclosure - front right	
16	56527	2	Jamb, door - top	
17	N/A	2	Washer, M6 flat	
18	N/A	2	Screw, M6-1.0 x 16 button hex	
19	56522	1	Cover, enclosure - vent	
20	56521	1	Panel, enclosure - front	
21	56523	1	Panel, enclosure -front left	
22	56536	4	Stopper, door jamb - rubber	

# LIGHT MAST ASSEMBLY



03281

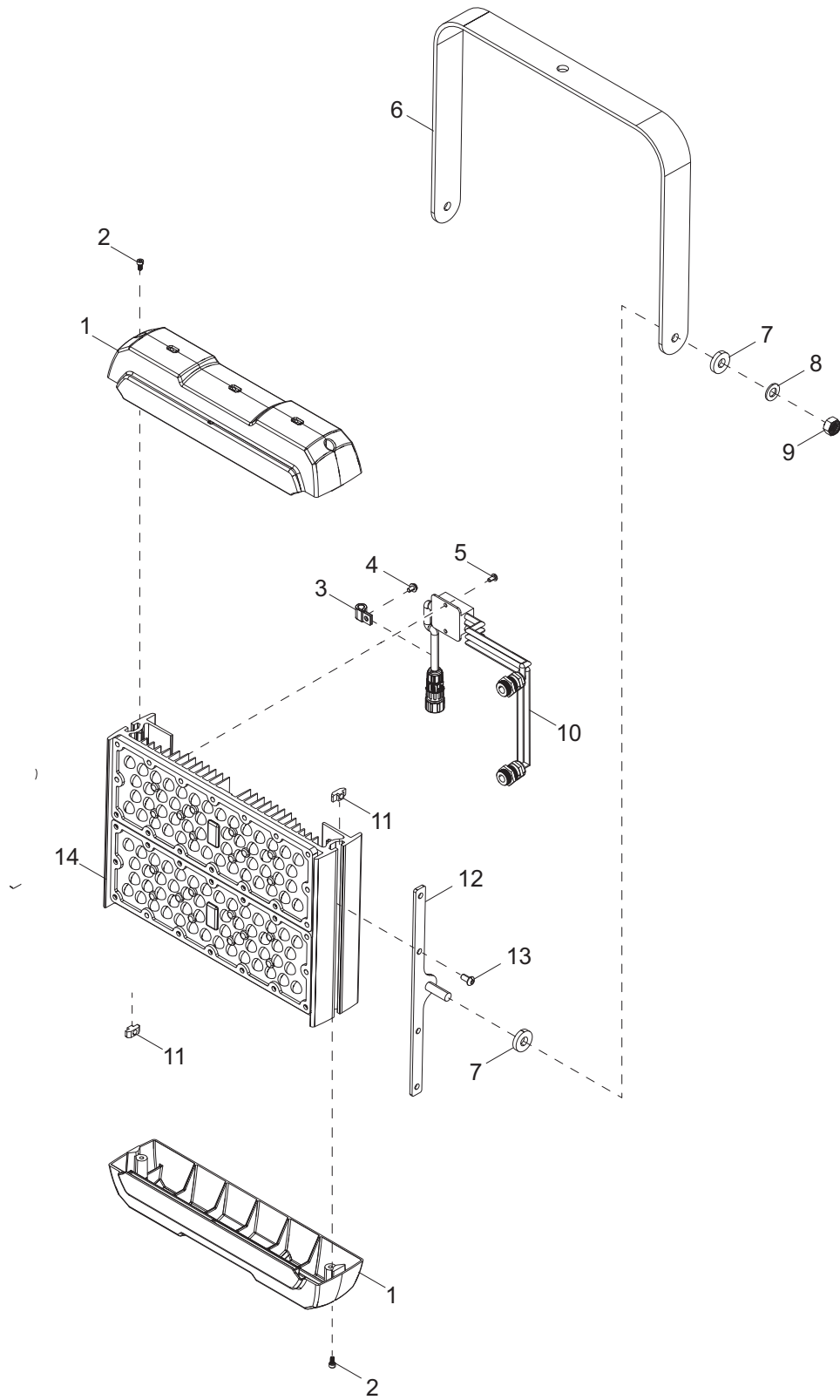


## LIGHT MAST ASSEMBLY

---

<b>Item</b>	<b>Part No.</b>	<b>Qty</b>	<b>Description</b>	<b>Notes</b>
1	A0000203129	4	Assembly, LED light - hard wire 240W	
2	60584	4	Nut, .750-10 nylock	
3	60247	4	Washer, .750 flat 2.020/.130	
4	63357	8	Washer, .750 flat 2.0/.062 - plastic	
5	43201B	1	Weldment, mast, crossbar	
6	60061	5	Nut, 10-32 nylock	
7	A0000073922	1	Assembly, mast box - LED	
8	60062	5	Screw, 10-32 x .750 pan Phillips, G2	
9	16143	1	Clamp, tubing .500	
10	66685	6	Mount, cable tie	
11	10000023259	2	Plug, 2.0 square x .125 wall tube, plastic	

240 Watt Assembly

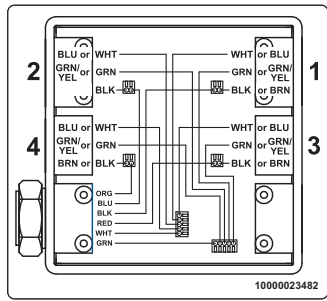


03282

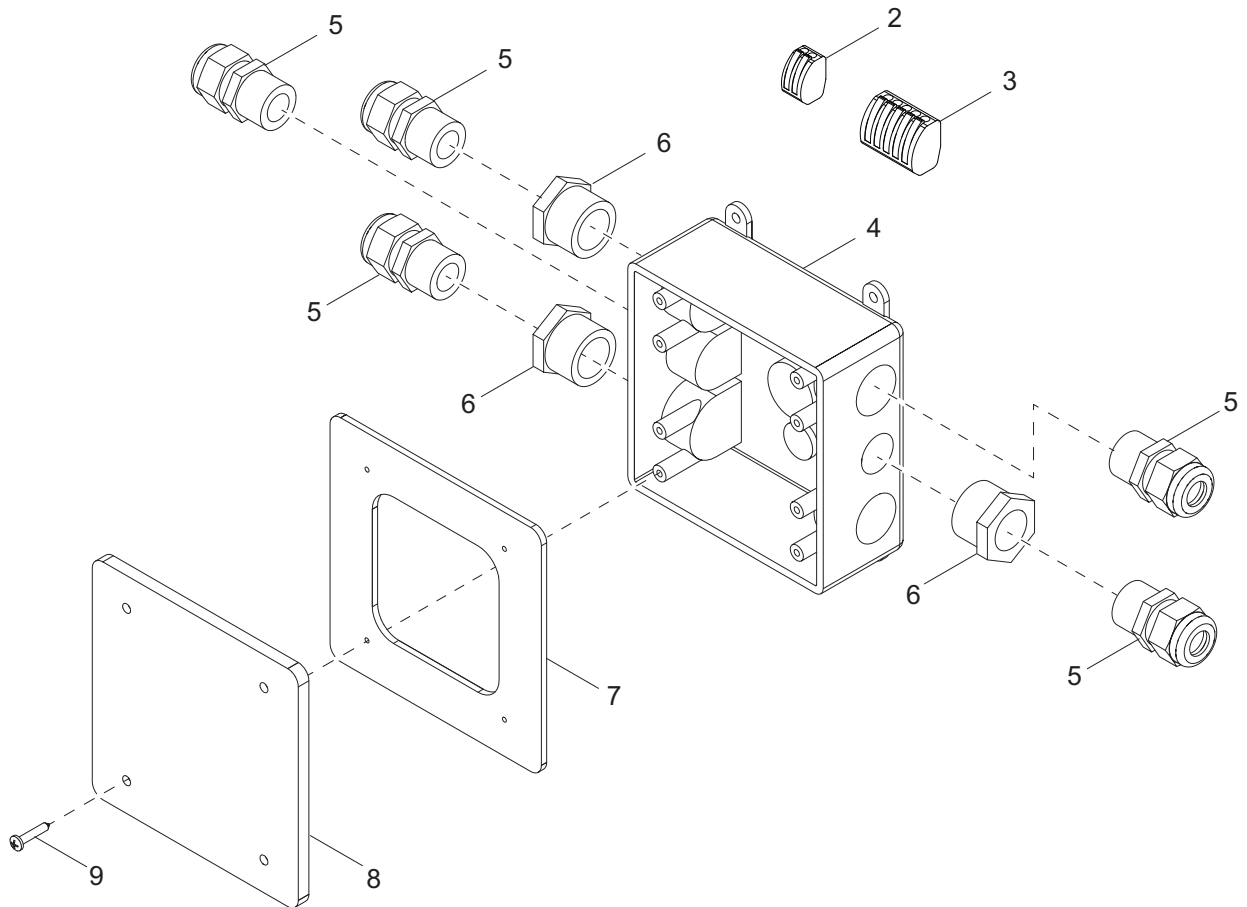
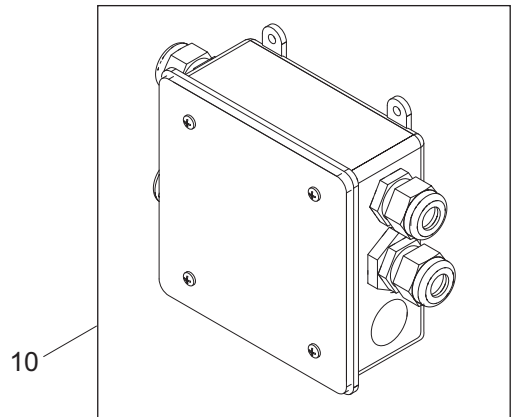
## LIGHT ASSEMBLY

Item	Part No.	Qty	Description	Notes
1	A0000092362	2	End cap, with diffuser slot	
2	A0000188756	4	Screw, M4-.7 x 12	
3	G020151	2	Clamp, .312 x .302 - steel/vinyl	
4	N/A	6	Screw, M4-.7 x 14 PPHM	
5	G020745	2	Screw, M4-.7 x 12 PPHM	
6	A0000416868	1	Bracket, trunnion - 320W	
7	A0000188752	4	Washer, M10 ID x 25MM OD x 5 MM T	
8	60027	2	Washer, M10 flat	
9	A0000009451	2	Nut, M10-1.50 nylock, G8.8	
10	N/A	1	Cable, 2 position, 3 way splitter - parallel	
11	A0000188739	8	Nut, M6-1.00 x 12 hammer	
12	N/A	2	Bracket, trunnion to frame	
13	A0000192578	8	Screw, mounting - optical lens	
14	N/A	1	Frame, heat sink 240W - LED	
--	A0000203129	4	Assembly, 240W LED light	

# MAST JUNCTION BOX ASSEMBLY



Inside cover



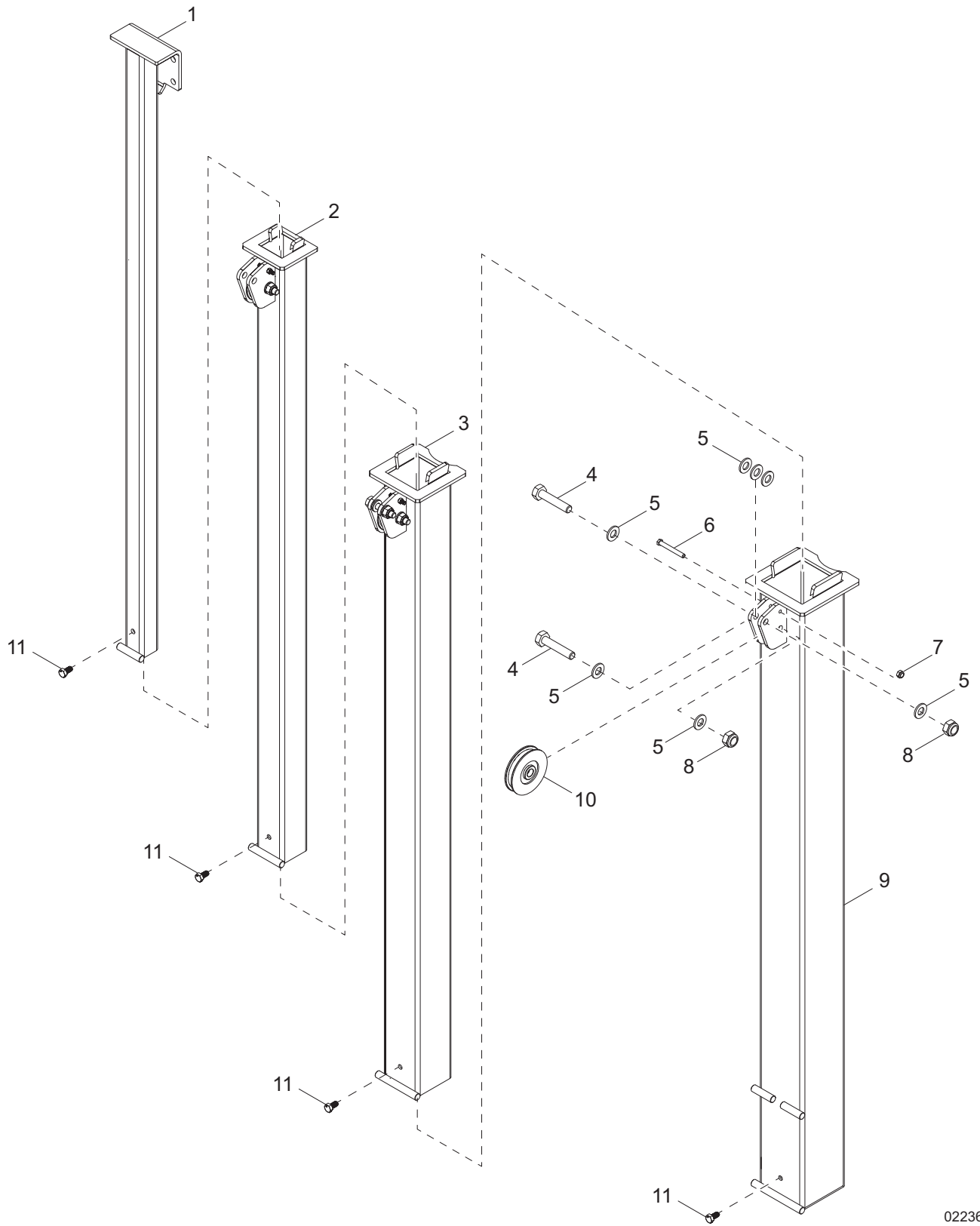
02607

## MAST JUNCTION BOX ASSEMBLY

---

Item	Part No.	Qty	Description	Notes
1	10000023482	1	Decal, mast junction box	
2	66100	4	Connector, 2 position	
3	66102	2	Connector, 5 position	
4	12094	1	Box, junction	
5	60755	3	Fitting, straight .750MNPT x .500FNPT, nylon	
6	15864	5	Strain relief, .500NPT water tight	
7	13749SRV	1	Gasket, junction box - HFI 281000	
8	12109	1	Cover, box, 2-gang plastic	
9	60424	4	Screw, 6-32 x .750 pan Phillips, G2	
10	A0000073922	1	Assembly, mast junction box	

# MAST ASSEMBLY

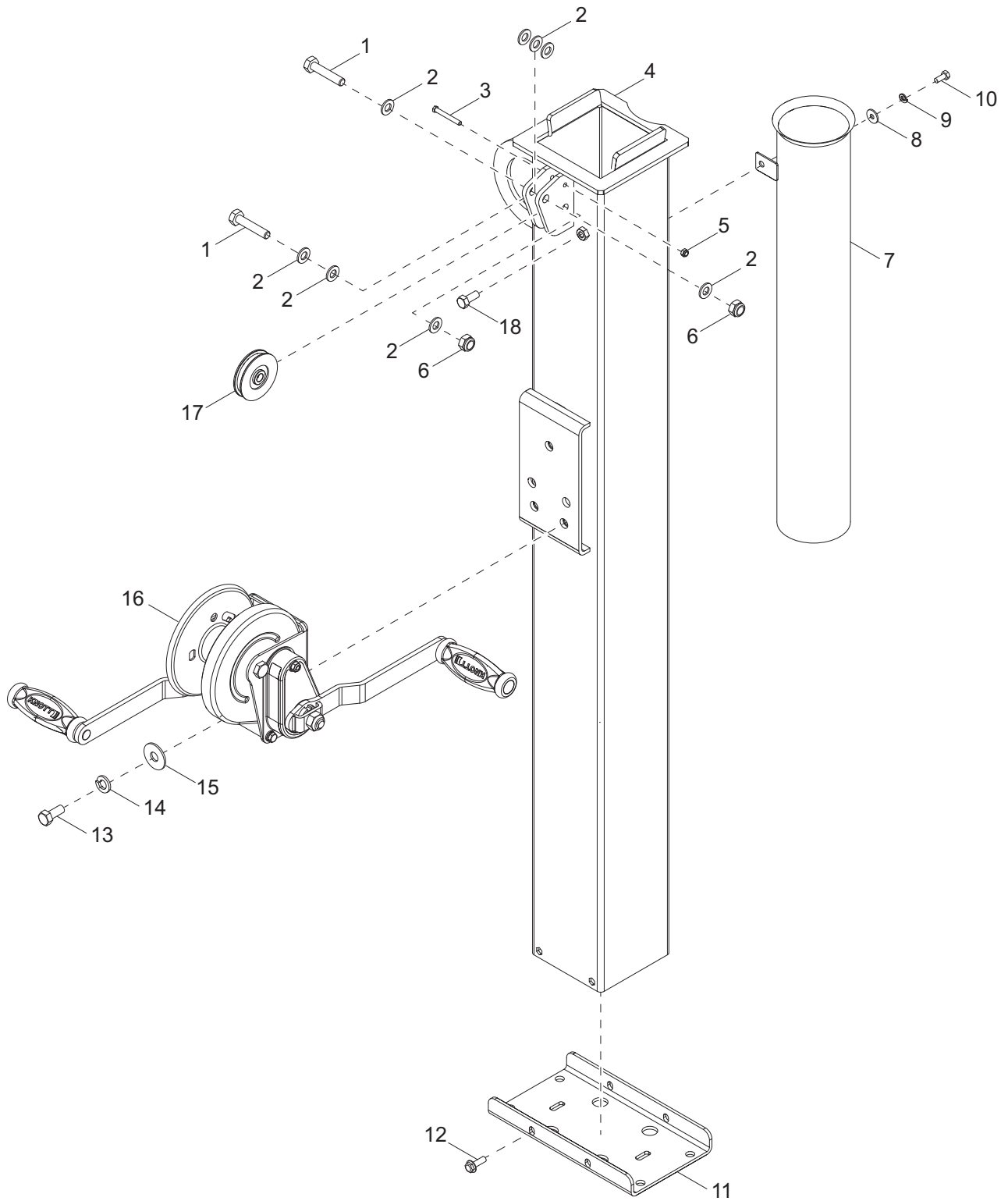


02236

## MAST ASSEMBLY

Item	Part No.	Qty	Description	Notes
1	56532	1	Weldment, mast 40MM	
2	56531	1	Weldment, mast 60MM	
3	56530	1	Weldment, mast 80MM	
4	N/A	5	Screw, M10-1.50 x 55 standard hex, G8.8	
5	N/A	16	Washer, M10 flat	
6	N/A	3	Screw, M5-.80 x 40 standard hex, G8.8	
7	60038	3	Nut, M5-.80 nylock, G6	
8	N/A	5	Nut, M10-1.50 nylock, G8.8	
9	56529	1	Weldment, mast 100MM	
10	56534	3	Pulley, 62mm x 10.5mm	
11	A0000764076	4	Screw, Inox	
--	56545	1	Cable, .5 x 88.6 long	top cable
--	A0002106392	1	Cable, steel galvanized	bottom cable
--	56547	2	Cable, .5 x 45.7 in. long	middle cable

# MAST BASE ASSEMBLY



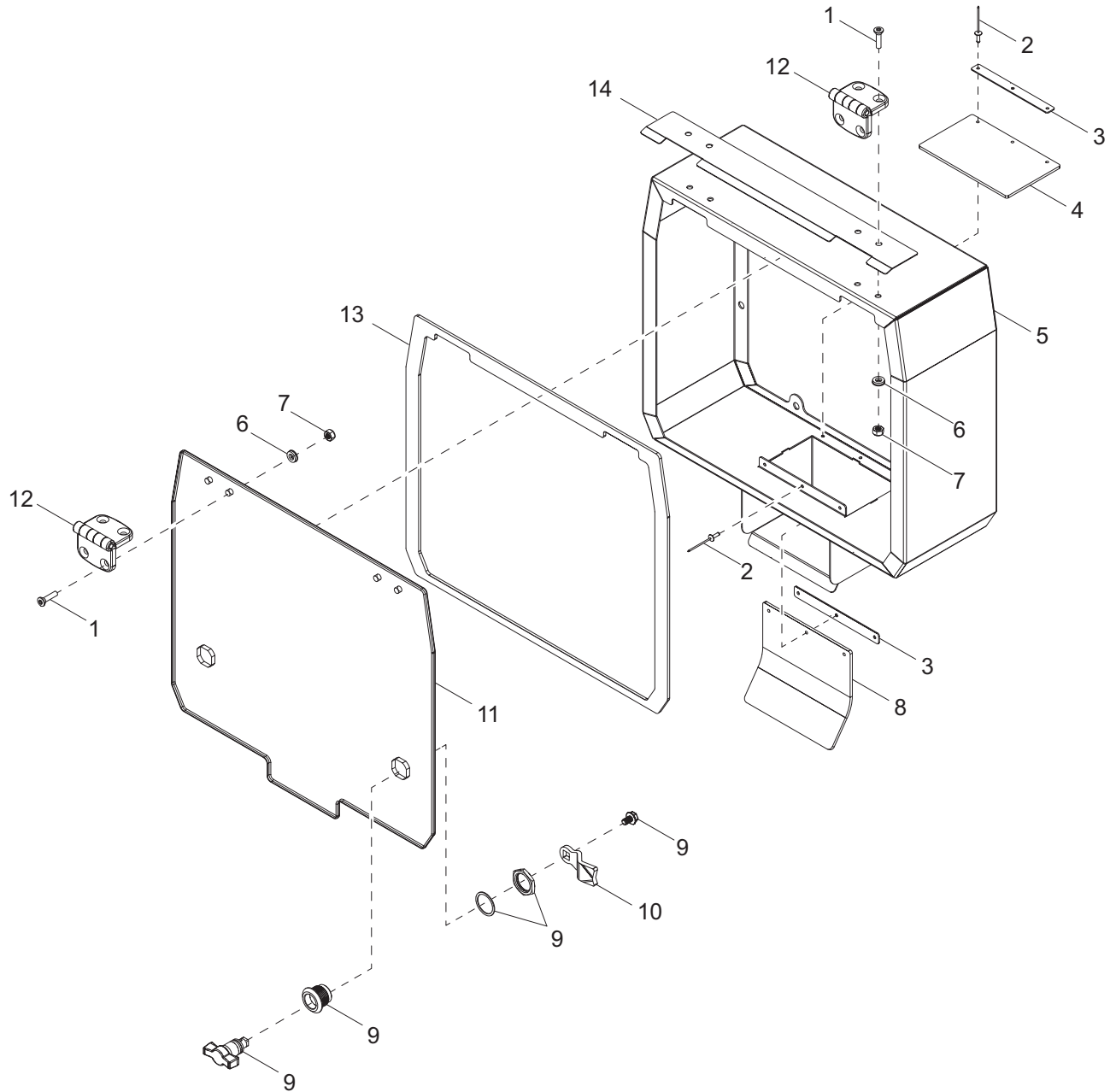
02237



## MAST BASE ASSEMBLY

Item	Part No.	Qty	Description	Notes
1	N/A	2	Screw, M10-1.50 x 55 standard hex, G8.8	
2	N/A	7	Washer, M10 flat	
3	N/A	1	Screw, M5-.80 x 40 standard hex, G8.8	
4	56528	1	Weldment, mast 120mm	
5	60038	1	Nut, M5-.80 nylock, G6	
6	N/A	2	Nut, M10-1.50 nylock, G8.8	
7	56533	1	Tube guide, coil cord	
8	69975	1	Washer, M6 flat	
9	38522	1	Washer, M6 split lock	
10	N/A	1	Screw, M6-1.0 x 12 standard hex, G8.8	
11	56520	1	Bracket, mast mount	
12	60087	4	Screw, M6-1.00 x 16 serrated flange hex, G8.8	
13	N/A	3	Screw, M10-1.50 x 25 standard hex, G8.8	
14	60026	3	Washer, M10 split lock	
15	N/A	3	Washer, M10 flat	
16	72127	1	Winch, manual 1500lb - dual handle	
17	56534	1	Pulley, 62mm x 10.5mm	
18	61082	2	Screw, M8-1.25 x 20 standard hex, G8.8	

# CONTROL PANEL COVER

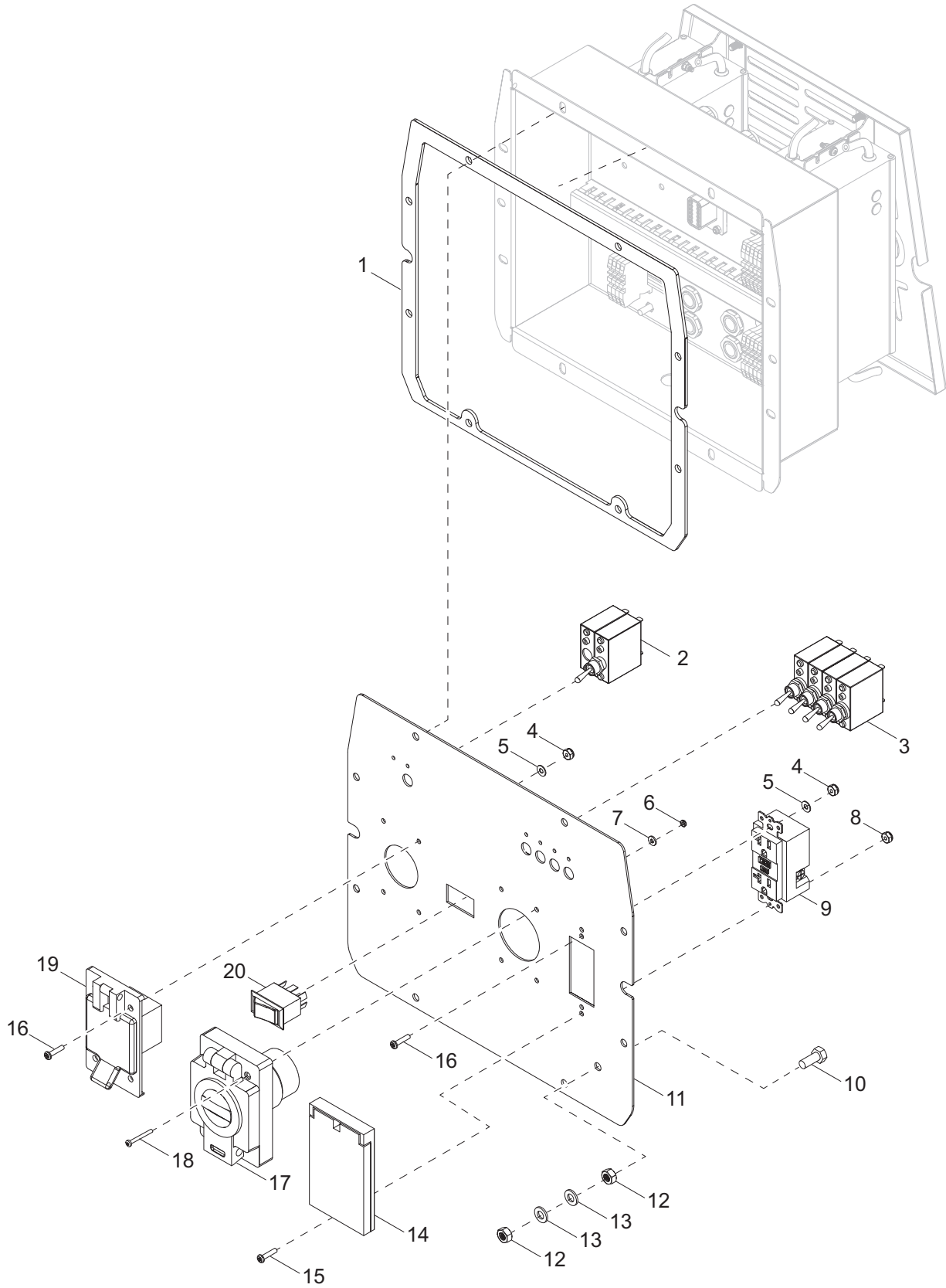


02238

## CONTROL PANEL COVER

Item	Part No.	Qty	Description	Notes
1	69967	8	Screw, M6 x 1.00 - 20 flat Phillips - SS	
2	60267	6	Rivet, .125 dia x .191 to .270 grip	
3	76949B	2	Plate, backing	
4	10000007754	1	Flap, cover - rubber	
5	76940B	1	Weldment, control panel cover	
6	69968	8	Washer, sealing .26 x .50 - SS/neoprene	
7	60047	8	Nut, M6-1.00 nylock, G8.8	
8	76943	1	Flap, rubber	
9	76945	2	Latch, wing knob	
10	76946	2	Cam, latch 8mm offset	
11	76925	1	Lid, control panel cover	
12	76944	2	Hinge, butt - 6mm mount	
13	76930	1	Gasket, control panel lid	
14	10000007570	1	Drip edge	

# CONTROL PANEL ASSEMBLY (1 OF 3)

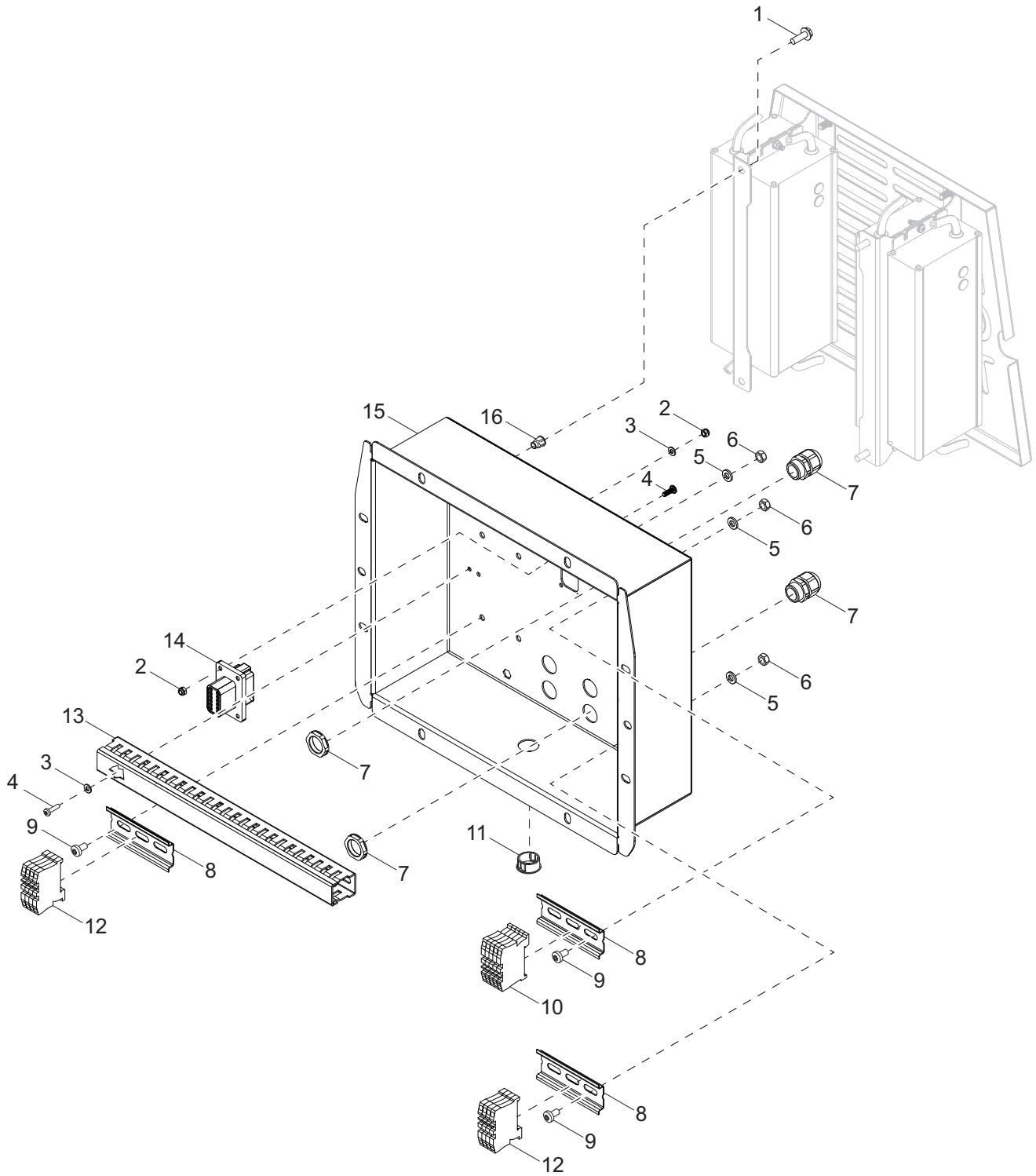


02652

## CONTROL PANEL ASSEMBLY (1 OF 3)

Item	Part No.	Qty	Description	Notes
1	76929	1	Gasket, control panel	
2	75015	1	Breaker, 2-pole, 15A & 20A - dual linked	
3	75016	4	Switch, lights, 5A	
4	60270	6	Nut, 8-32 nylock	
5	60269	6	Washer, #8 flat .433/.036	
6	60728	4	Nut, 6-32 nylock, G5	
7	60289	4	Washer, #6 flat	
8	60758	2	Nut, 4-40 nylock, G2	
9	14130	1	Receptacle, 120V/20A GFI	
10	N/A	1	Screw, M8-1.25 x 25 standard hex - brass	
11	56510	1	Plate, control panel	
12	N/A	2	Nut, M8-1.25 - brass	
13	N/A	2	Washer, M8 flat - brass	
14	37017	1	Cover, receptacle - weather proof	
15	60757	2	Screw, 4-40 x .750 pan Phillips, G2	
16	60694	6	Screw, 8-32 x .750 pan Phillips - SS	
17	75014	1	Receptacle, 120V/20A inlet w/cover	
18	N/A	4	Screw, 6-32 x 1.25 pan Phillips - SS	
19	65385	1	Receptacle, 120V/15A inlet w/cover	
20	68530	1	Switch, rocker DPDT - on/on	
	55090	1	Assembly, control box with drivers	

# CONTROL PANEL ASSEMBLY (2 OF 3)

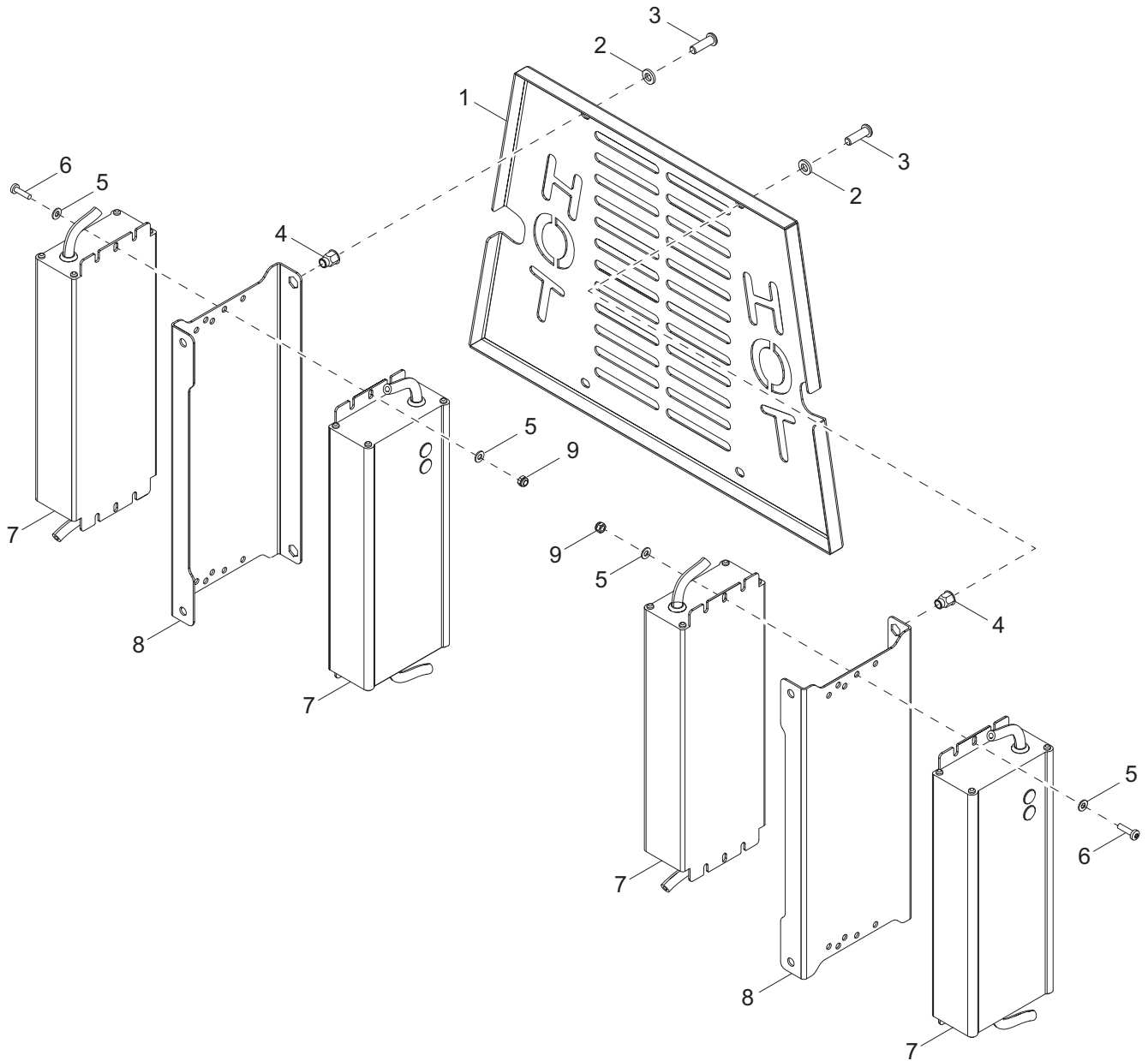


02240

## CONTROL PANEL ASSEMBLY (2 OF 3)

Item	Part No.	Qty	Description	Notes
1	60087	4	Screw, M6-1.00 x 16 serrated flange hex, G8.8	
2	60051	2	Nut, M4-.700 nylock, G8.8	
3	60084	4	Washer, M4 flat	
4	60091	6	Screw, M4-.700 x 12 pan Phillips, G4.8	
5	N/A	6	Washer, M6 flat	
6	60047	6	Nut, M6-1.00 nylock, G8.8	
7	56503	8	Connector, cable compression - nylon	
8	56506	3	Rail, terminal mount	
9	63288	6	Screw, M6-1.00 x 12 pan Phillips, G8.8	
10	56508	5	Terminal block, 2 conductor 12AWG - green	
11	56609	1	Plug, knockout 20mm	
12	56507	8	Terminal block, 2 conductor 12AWg - gray	
13	56505	1	Duct, wire routing	
14	66695	1	Connector, Deutsch 12 pos recept/pin - flange	
15	56504	1	Housing, electrical component	
16	69991	4	Insert, M6-1.00 hex .50-3.00mm grip	

# CONTROL PANEL ASSEMBLY (3 OF 3)



02241

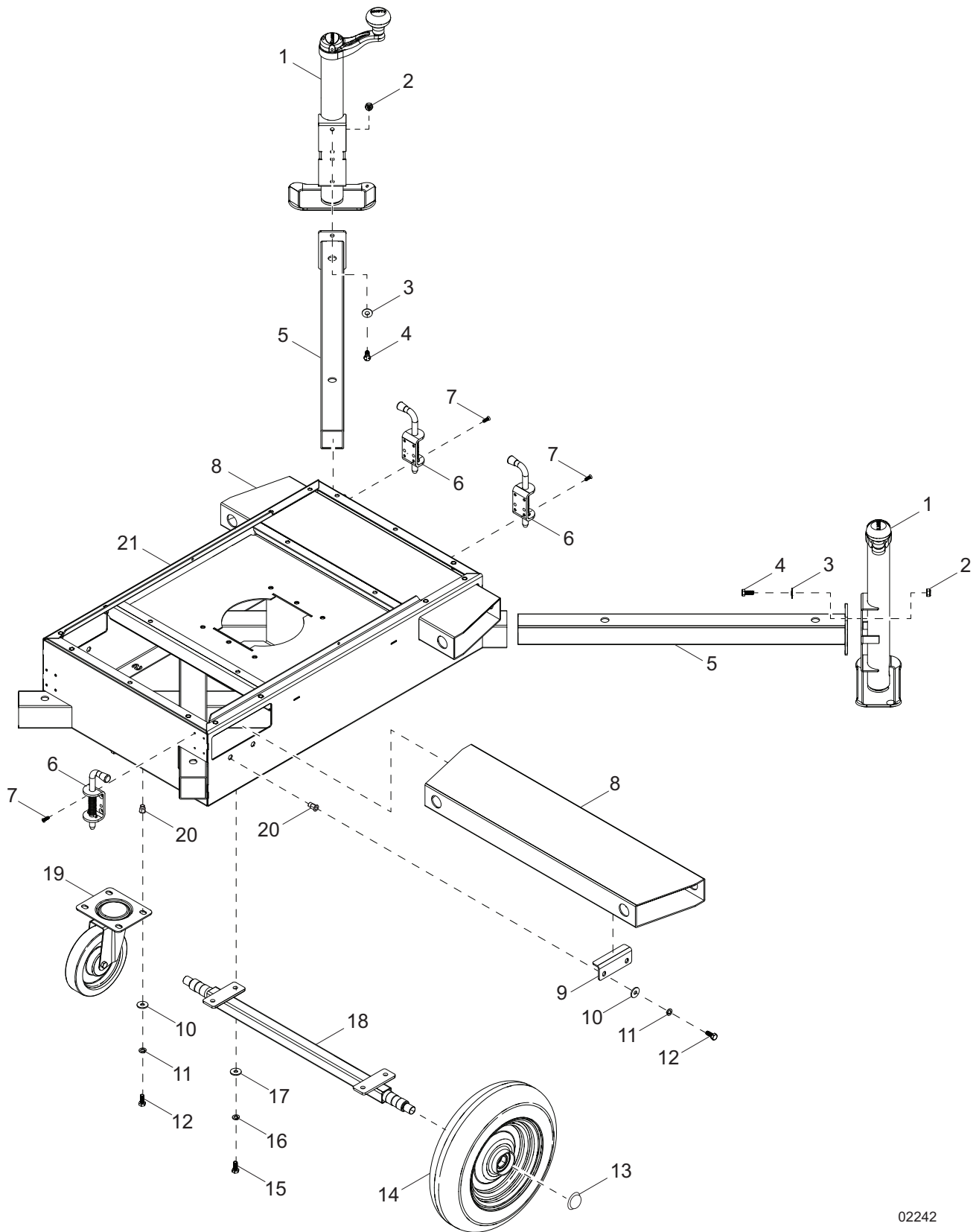


## CONTROL PANEL ASSEMBLY (3 OF 3)

---

Item	Part No.	Qty	Description	Notes
1	72180	1	Cover, LED driver	
2	N/A	4	Washer, M6 flat	
3	N/A	4	Screw, M6-1.00 x 16 button hex	
4	69991	4	Insert, M6-1.00 hex .50-3.00mm grip	
5	60084	8	Washer, M4 flat	
6	N/A	4	Screw, M4-700 x 16 pan Phillips	
7	72178	4	Driver. LED 30V, 10.7A-CC 320W	
8	72179	2	Bracket, driver mount	
9	60051	4	Nut, M4-.700 nylock, G8.8	

# TRAILER ASSEMBLY

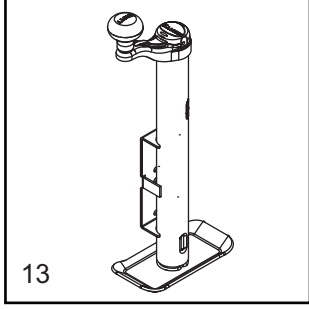
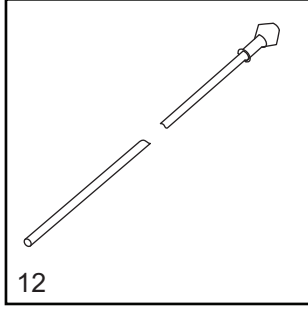
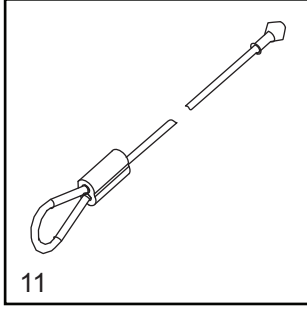
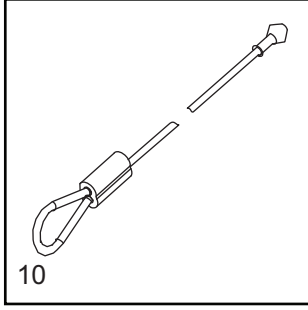
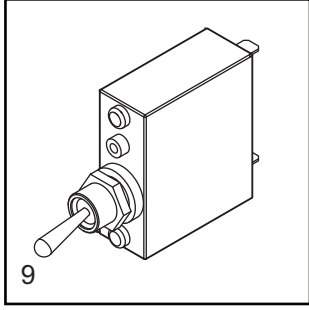
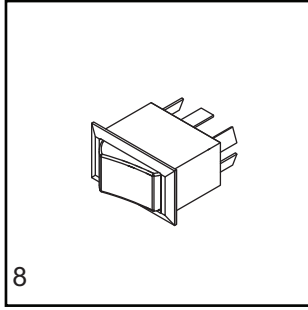
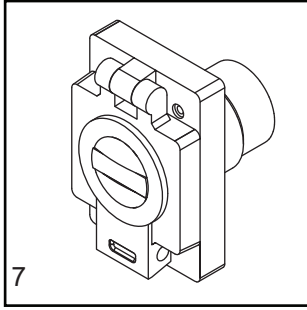
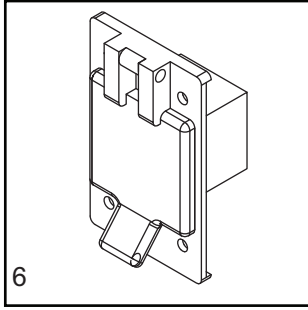
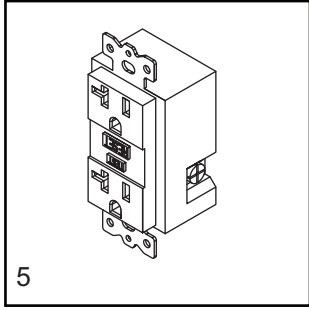
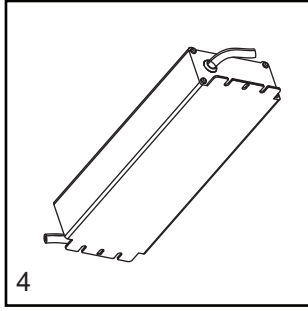
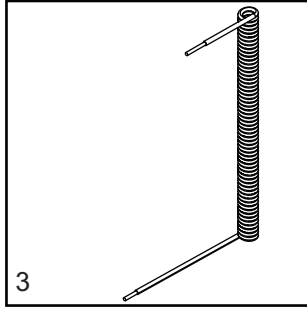
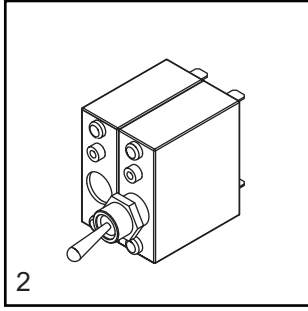
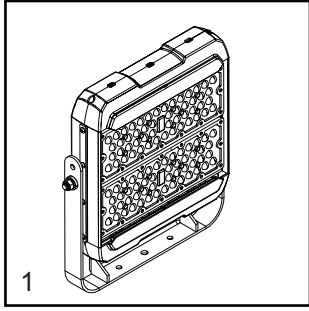


02242

## TRAILER ASSEMBLY

Item	Part No.	Qty	Description	Notes
1	54788	4	Jack, top wind, 1200lb - large foot	
2	62079	8	Nut, .312 nylock - jam	
3	60119	8	Washer, .312 flat .875/.070	
4	60168	8	Screw, .312-18 x .750 standard hex, G5	
5	56519	4	Weldment, outrigger/jack mount	
6	56516	4	Spring pin, M5 mount	
7	69977	16	Screw, M5-.80 x 16 flat Phillips	
8	56517	2	Tube guide, forklift	
9	56518	4	Bracket, tube guide - forklift	
10	N/A	12	Washer, M8 flat	
11	60029	12	Washer, M8 split lock	
12	61082	12	Screw, M8-1.25 x 20 standard hex	
13	A0001693791	2	Cap, dust	
14	56514	2	Wheel, 3.50 x 8.00 rubber - full	
15	53334	4	Screw, M6-1.00 x 20 hex, G8.8	
16	38522	4	Washer, M6-.250 split lock	
17	69975	4	Washer, M6 flat	
18	56513	1	Weldment, axle and hub	
19	56515	1	Caster w/lock, 6.00	
20	A0003328254	12	Insert, M8-1.25 hex, .50 -3.50mm grip	
21	56512	1	Weldment, frame base	

# RECOMMENDED SPARE PARTS



**ELECTRICAL**

1. Assembly, LED module.....	A0000203129
2. Breaker, 2-pole, 15A and 20A dual.....	75015
3. Coil cord .....	10000026846
4. Driver, LED 30V, 10.7A-CC 320W.....	72178
5. Receptacle, 120V/20A GFI.....	14130
6. Receptacle, 120V/15A inlet w/cover.....	65385
7. Receptacle, 120V/20A inlet w/cover.....	75014
8. Switch, rocker DPDT - on/on.....	68530
9. Switch, lights 5A.....	75016

**MAST**

10. Cable, .5 x 88.6 long (top cable).....	56545
11. Cable, steel galvanized (bottom cable).....	A0002106392
12. Cable, .5 x 45.7 long (middle cable).....	56547

**TRAILER**

13. Jack, top wind .....	54788
--------------------------	-------

This Page Intentionally Left Blank



Part No. A0001079999 Rev. C 09/21/2022

©2022 Generac Power Systems, Inc.  
All rights reserved.  
Specifications are subject to change without notice.  
No reproduction allowed in any form without prior written consent  
from Generac Power Systems, Inc.

**GENERAC** | **MOBILE**

Generac Power Systems, Inc.  
S45 W29290 Hwy. 59, Waukesha WI 53189  
[GeneracMobileProducts.com](https://www.GeneracMobileProducts.com) | 844-ASK-GNRC | 844-275-4672